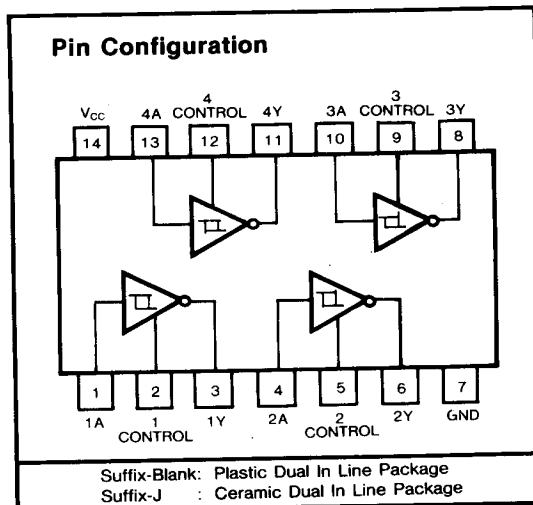


GD75189A

QUADRUPLE LINE RECEIVERS

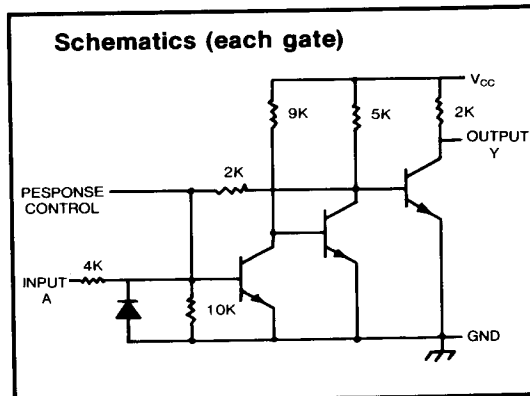
Feature

- Input Resistance ... $3k\Omega$ to $7k\Omega$
- Input Signal Range ... $\pm 30V$
- Fully Interchangeable with SN75189
- Operates from Single 5-V Supply
- Built-In Input Hysteresis (Double Thresholds)
- Response Control Provides: Input Threshold Shifting
Input Noise Filtering
- Satisfies Requirements of EIA RS-232-C



Description

The GD75189A is monolithic quadruple line receivers designed to satisfy the requirements of the standard interface between data terminal equipment and data communication equipment as defined by EIA standard RS-232C. A separate response control terminal is provided for each receiver. A resistor or a resistor and bias voltage can be connected between this terminal and ground to shift the input threshold voltage levels. An external capacitor can be connected from this terminal to ground to provide input noise filtering.



Absolute Maximum Ratings

- | | | |
|--|-----------|-------------------------|
| • Supply voltage | V_{CC} | 10V |
| • Input voltage | V_I | $\pm 30V$ |
| • Output current | V_O | 20 mA |
| • Continuous total dissipation at (or below) $25^\circ C$ | P_T | 1 W |
| • Operating free-air temperature range | T_A | $0 \sim +175^\circ C$ |
| • Storage temperature range | T_{STG} | $-65 \sim +175^\circ C$ |
| • Lead temperature 1/16 inch from case for 60 seconds, J Package | | 300 $^\circ C$ |
| • Lead temperature 1/16 inch from case for 10 seconds, P Package | | 260 $^\circ C$ |